
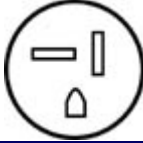


## DocuColor12 – Electrical Details

Warm-up time: 7.4 minutes  
 Power Consumption: 2.112 kVA (Maximum)  
 Current Service: 20 amps (sole use)  
 Frequency: 60 Hz

<p><b>Electronic Subsystem                  (XJ Fiery Controller)                  115 VAC 60 Hz.</b></p>

<p><b>NEMA#5-15R                  (Edison Receptacle)                  15 AMP</b></p>

<p><b>DocuColor 12 Printer                  (Printing System)                  115 VAC 60 Hz.</b></p>

<p><b>NEMA #5-20R                  20 AMP Service</b></p>

## DC 12 Environmental Requirements

<b>Operating Temperatures</b>	
<b>Minimum temp:</b>	<b>50 degrees F</b>
<b>Maximum temp:</b>	<b>94 degrees F</b>
<b>Humidity:</b>	<b>15%-85% +/- 5%</b>

## DC 12 Heat Dissipation

<b>Standby:</b>	<b>4080 (1.8kW) BTU/hr</b>
<b>Operating:</b>	<b>2720 (2.6kW) BTU/hr</b>

## DocuColor12 – Technical Details

### DocuColor 12 Performance

<b>Print Resolution</b>	<b>600x600 dpi</b>
<b>Printing Speed</b>	<b>12 ppm</b>
<b>Max Page Size</b>	<b>11.7"x17.2"</b>
<b>Printing Technology</b>	<b>Color Laser</b>

### Paper Handling

<b>Maximum Input (sheets)</b>	<b>2,150</b>
<b>Maximum Output (sheets)</b>	<b>Optional Sorter</b>
<b>Duplex</b>	<b>Included</b>
<b>Monthly Volume</b>	<b>30,000</b>
<b>Min. Paper Weight (lbs)</b>	<b>16 lb.</b>
<b>Max. Paper Weight (lbs)</b>	<b>250 GSM.</b>
<b>Standard Paper Trays</b>	<b>4</b>

#### Input Media Types:

16 lb. bond to 140 index stock (250gsm)

Transparency, Carbonless, Pre-drilled Stock, Pressure Sensitive Labels, and other Specialty Stocks.

#### Features:

Auto Color Select  
Auto Color Calibration  
Auto Contrast  
Auto Paper Select  
Auto Tray Switching  
Auto Covers  
Book Copying  
Margin Shift, Auto Center  
Mirror Image, Negative  
Multi-Up / Posters  
Stored Jobs

#### Networking:

Via Fiery X12 and Xp12

Mac OS 8+, MSWindows, NT, Unix, Sun Solaris, Splash